



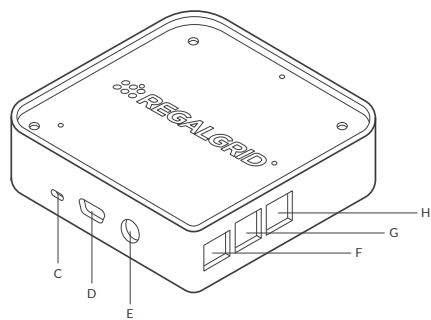
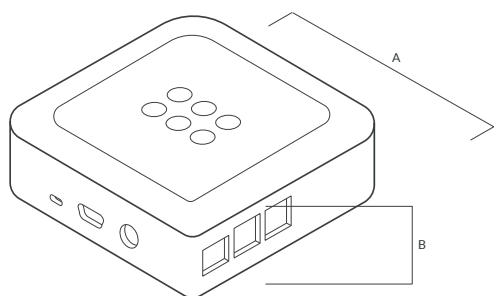
Sharing your power

Smart NOde Control Unit

SNOCU is the first independent device able to communicate with the inverters and storage systems by any manufacturer.

w3.regalgrid.com





A 116 mm	E Combined 3.5 mm jack
B 40 mm	F Ethernet port
C Micro USB	G 2 USB ports
D Full HDMI port	H 2 USB ports

■ PV plant	■ Storage battery
■ Inverter	■ Loads
■ SNOCU	■ Public network

0-KM energy, full autonomy

SNOCU is an innovative gateway that connects to the devices of your photovoltaic system (with or without a storage system). SNOCU converts the energy flows into digital data that is sent to the Regalgrid® platform, transforming your energy generating system into an “active node” of a smart community.

Processor

Broadcom BCM2387 chipset. 1.2 GHz Quad-core ARM Cortex-A53

Connection

802.11 b/g/n wireless LAN and bluetooth 4.1 (bluetooth classic and LE)

GPU

Dual core video core IV® multimedia co-processor

Memory

1 GB LPDDR2

Power

Micro USB socket 5 V1, 2.5 A

LAN port

Ethernet 10/100 baseT ethernet

Socket video output

HDMI (rev 1.3 & 1.4 composite RCA - PAL and NTSC)

Audio

Audio output 3.5 mm jack

USB port

4 USB 2.0

Compliance information

Based on class A information technology equipment according to the European standard EN 55022

